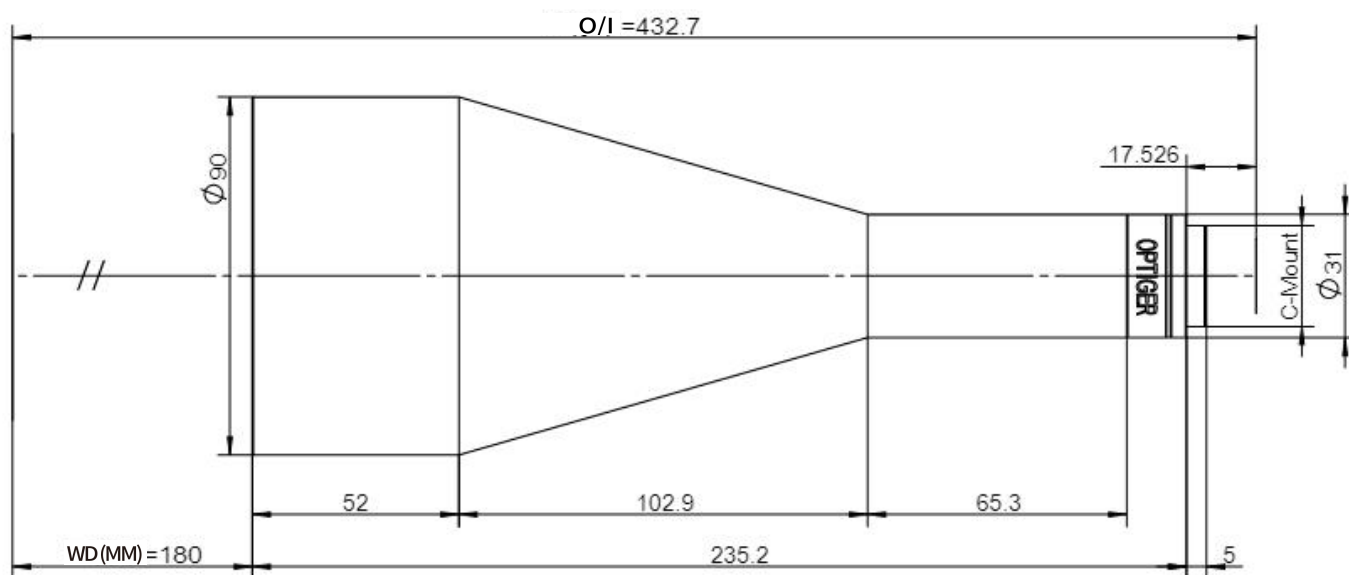


# TTL11.5- 70-180C



Unit: mm

## Specifications

|                             |         |
|-----------------------------|---------|
| Max. FOV(mm)                | 70      |
| Sensor Size (mm)            | 11.5    |
| Magnification               | 0.164   |
| WD (mm)                     | 180±5   |
| Effective F-number          | 7       |
| Object-side Resolution (um) | 28.64   |
| DOF (mm)                    | 20.82   |
| Measured Telecentricity     | 0.008°  |
| Measured Distortion         | 0.01%   |
| Mount                       | C-Mount |
| Length(mm)                  | 235.2   |
| Diameter (mm)               | 90      |
| Weight (g)                  | 1380    |

**DESIGNED IN GERMANY**  
ULTRA HIGH PERFORMANCE BI-TELECENTRIC LENSES

## Features

Available for cameras with sensor size of 2/3"

Available for cameras with pixel size of 3.45um

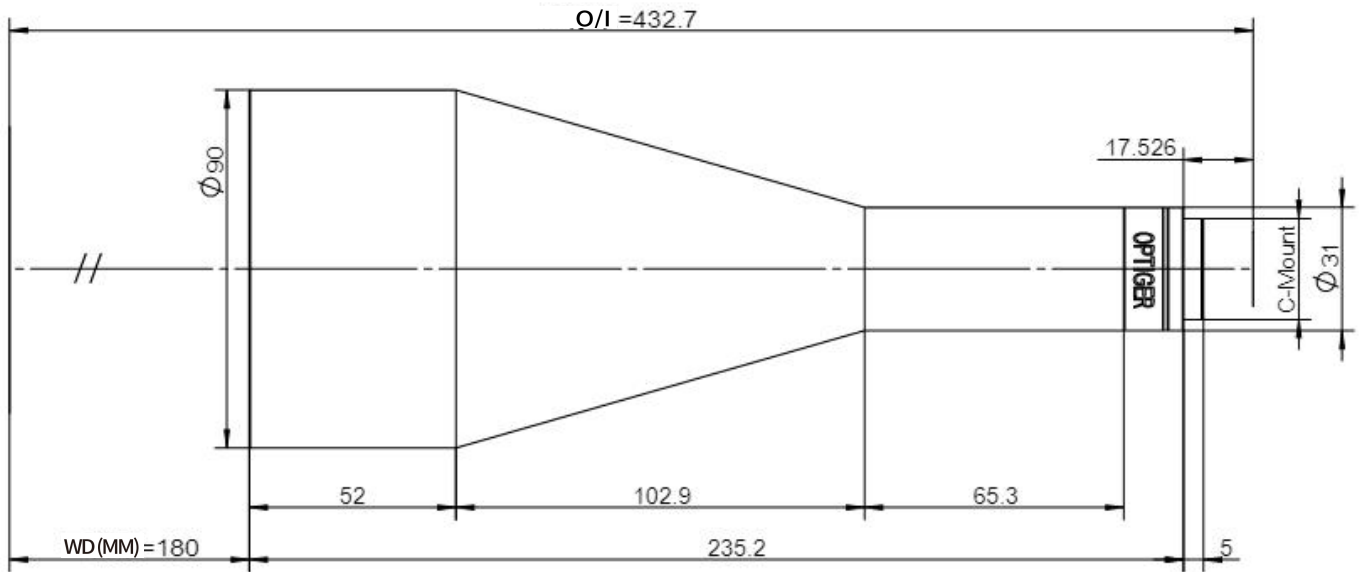
## FOV (mm\*mm)

1/2"(6.4×4.8) 39.0×29.3

2/3"(8.8×6.6) 53.7×40.2

Max Sensor Size(9.2×6.9) 56.1×42.1

# TTL11.5-70-180C-D



Unit: mm

## Specifications

|                             |         |
|-----------------------------|---------|
| Max. FOV(mm)                | 70      |
| Sensor Size (mm)            | 11.5    |
| Magnification               | 0.164   |
| WD (mm)                     | 180±5   |
| Effective F-number          | 16      |
| Object-side Resolution (um) | 65.35   |
| DOF (mm)                    | 47.43   |
| Measured Telecentricity     | 0.002°  |
| Measured Distortion         | 0.01%   |
| Mount                       | C-Mount |
| Length(mm)                  | 235.2   |
| Diameter (mm)               | 90      |
| Weight (g)                  | 1429    |

**DESIGNED IN GERMANY**  
ULTRA HIGH PERFORMANCE BI-TELECENTRIC LENSES

## Features

Available for cameras with sensor size of 2/3"

Available for cameras with pixel size of 3.45um

## FOV (mm\*mm)

1/2"(6.4×4.8) 39.0×29.3

2/3"(8.8×6.6) 53.7×40.2

Max Sensor Size(9.2×6.9) 56.1×42.1